



# SERIES N 75 Ω, COAXIAL CONNECTORS

## DESCRIPTION

HUBER+SUHNER N connectors are available with 50 Ω and 75 Ω impedance. The HUBER+SUHNER N-75 Ω connectors are suitable for applications up to 1.5 GHz. The screw-type coupling mechanism provides a sturdy and reliable connection.

### Compatibility

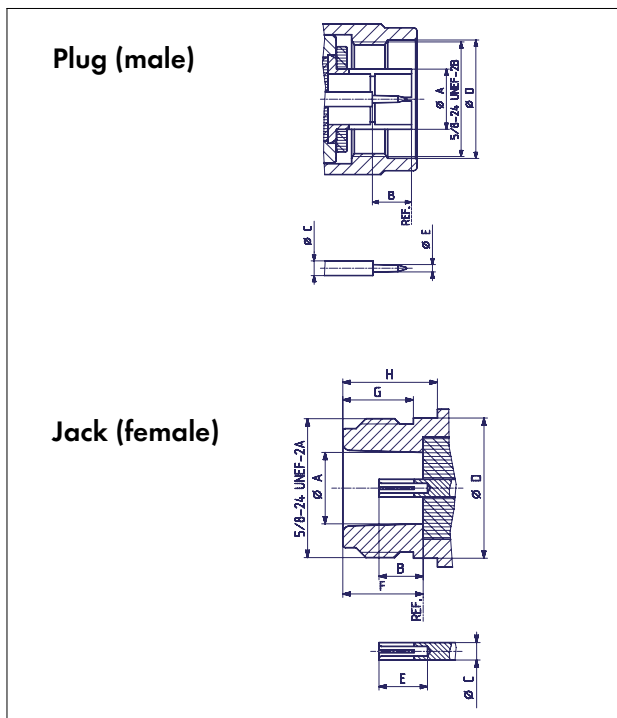
Center conductors of N 75 Ω connectors have a smaller diameter than those of the 50 Ω version. Therefore 50 Ω and 75 Ω connectors must not be mated with each other.

## CONTENTS

## PAGE

Description	299
Interface dimensions	299
Interface dimensions in mm / inches	299
Technical data	300
Cable connectors	302
Receptacles with solder end	304

## INTERFACE DIMENSIONS



## INTERFACE DIMENSIONS (MM / INCHES)

	Plug		Jack	
	min.	max.	min.	max.
A	—	8.38/.330	8.03/.316	8.13/.320
B	5.33/.210	5.84/.230	4.75/.187	5.26/.207
C	—	2.00/.079	—	2.00/.079
D	16.00/.630	—	—	15.93/.627
E	1.00/.039	1.05/.041	5.33/.210	—
F	—	—	9.04/.356	9.19/.362
G	—	—	6.76/.266	—
H	—	—	10.72/.422	—

IP rating (interface, mated) IP68

## TECHNICAL DATA

ELECTRICAL DATA	REQUIREMENTS
Impedance	75 $\Omega$
Frequency range	DC ... 1.5 GHz
Dielectric withstanding voltage (at sea level)	2.5 kV rms, 50 Hz
Working voltage (at sea level)	$\leq$ 1.0 kV rms, 50 Hz
Insulation resistance	$\geq$ 5 · 10 <sup>3</sup> M $\Omega$
Contact resistance - centre contact - outer contact	$\leq$ 1.0 m $\Omega$ $\leq$ 1.0 m $\Omega$
RF-leakage (measured at 1 GHz)	$\geq$ 90 dB

MECHANICAL DATA	REQUIREMENTS
Coupling nut torque - recommended - proof torque	0.68 Nm ... 1.13 Nm / 6.0 ... 10.0 in. lbs 1.70 Nm / 15.0 in. lbs
Coupling nut retention force	$\geq$ 450 N / 101.2 lbs
Contact captivation	$\geq$ 28 N / 6.3 lbs
Cable retention force <sup>1)</sup>	see pages 28 – 34
Durability (matings)	$\geq$ 500

1) Angabe berücksichtigt die maximale Belastbarkeit des Kabels ohne irreversible, die Funktion beeinträchtigende Veränderung

ENVIRONMENTAL DATA	TEST CONDITIONS
Temperature range	- 65°C ... + 165°C / - 85 °F ... + 329 °F
Climatic category	IEC → 55/155/21
Thermal shock	MIL-STD-202, Method 107, Condition B
Moisture resistance	MIL-STD-202, Method 106
Corrosion	Saltspray test acc. to MIL-STD-202, Method 101, Condition B
Vibration	MIL-STD-202, Method 204, Condition B
Shock	MIL-STD-202, Method 213, Condition I

MATERIAL DATA		
CONNECTOR PART	MATERIAL	PLATING
Bodies	brass	SUCOPLATE®
Pin contacts	brass	gold / SUCOPRO
Outer contact, slotted	spring bronze	SUCOPLATE®
Female contacts	copper-beryllium alloy; spring bronze	gold / SUCOPRO
Crimp ferrules	copper	SUCOPLATE®
Insulators, standard version	PTFE or PFA	
Gaskets	silicone rubber	

Some connectors may have a specification that differs from the above mentioned data.

**The products are designed and guaranteed to pass the above mentioned test procedures. Any additional or different requirement arising from specific applications or environmental conditions which is not covered by these test procedures is subject to request.**

# CABLE CONNECTORS

## Straight cable plugs (male)

### > for flexible cables

- > cable entry clamp
- > centre contact soldered

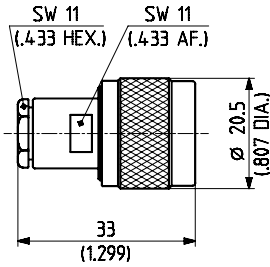


Fig. 1

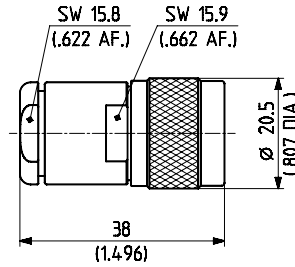


Fig. 2

HUBER+SUHNER type	Item no.	Cable group (example)	Packaging	Assembly instruction	Weight	Fig.
11_N-75-4-3/133_NE	22542467	U15 (RG 59 B/U)	single	27042	34.0 g/1.19 oz	1
11_N-75-4-6/133_NE	22542475	U18 (G 04233 D)	single	27042	34.0 g/1.19 oz	1
11_N-75-5-2/133_NE	22542484	U23 (RG 6 A/U)	single	3045	54.0 g/1.89 oz	2
11_N-75-7-4/133_NE	22542497	U37, 35 (RG 216/U)	single	3008	48.0 g/1.68 oz.	2

### > for flexible cables

- > HUBER+SUHNER® full crimp
- > taper sleeves see page 406

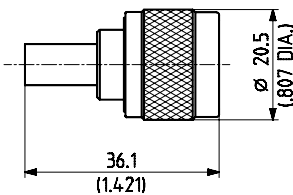


Fig. 1

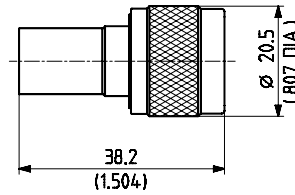
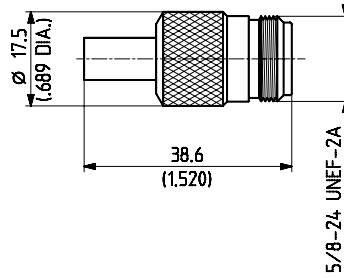


Fig. 2

HUBER+SUHNER type	Item no.	Cable group (example)	Packaging	Assembly instruction	Crimp insert	Weight	Fig.
11_N-75-4-8/133_NE	22542477	U16 (RG 59 B/U)	single	3063	2 C	30.0 g/1.05 oz.	1
11_N-75-4-9/133_NE	22542478	U18 (G 04233 D)	single	3063	2 C	30.0 g/1.05 oz.	1
11_N-75-7-16/133_NE	22542511	U34 (RG 11 A/U)	single	3061	2 D	32.0 g/1.12 oz.	2
11_N-75-7-18/133_NE	22542512	U36 (RG 216/U)	single	3061	2 D	32.0 g/1.12 oz.	2

### Straight cable jacks (female)

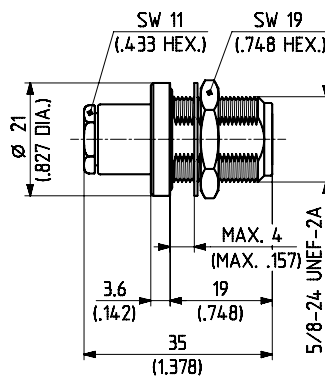
- > for flexible cables
- > HUBER+SUHNER® full crimp
- > taper sleeves see page 406



HUBER+SUHNER type	Item no.	Cable group (example)	Packaging	Assembly instruction	Crimp insert	Weight
21_N-75-4-8/133_NE	22640810	U16 (RG 59 B/U)	single	3063	2 C	34.0 g/1.19 oz

### Straight bulkhead cable jacks (female)

- > for flexible cables
- > cable entry clamp
- > centre contact soldered
- > with panel seal
- > insulating washers see page 408

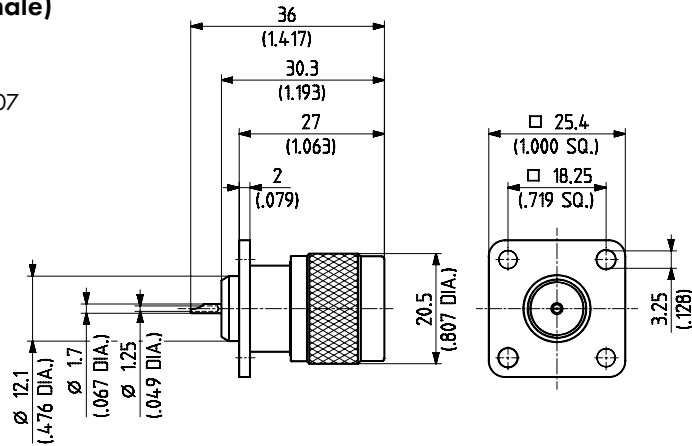


HUBER+SUHNER type	Item no.	Cable group (example)	Packaging	Assembly instruction/ Mounting hole	Weight
24_N-75-4-2/133_NE	22543628	U15 (RG 59 B/U)	single	27042 / ML 12	40.0 g/1.40 oz.

## RECEPTACLES WITH SOLDER END

### Flange mount, plugs (male)

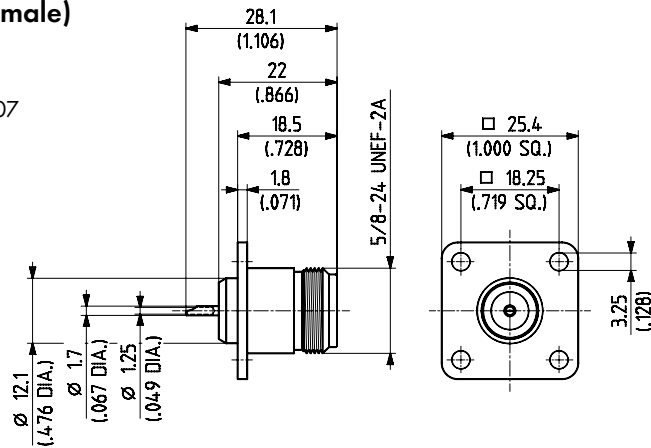
- > panel mounted
- > fastening screws see page 407



HUBER+SUHNER type	Item no.	Packaging	Mounting hole	Weight
13_N-75-0-1/133_NE	22542522	single	ML 16	45.0 g/1.58 oz.

### Flange mount, jacks (female)

- > panel mounted
- > fastening screws see page 407



HUBER+SUHNER type	Item no.	Packaging	Mounting hole	Weight
23_N-75-0-1/133_NE	22542575	single	ML 17	30.0 g/1.05 oz.